

4 3 2 1

F

F

E

E

D

D

C

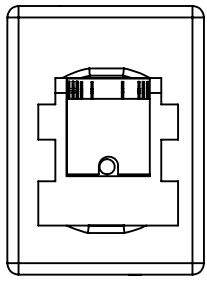
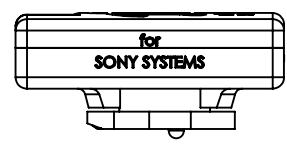
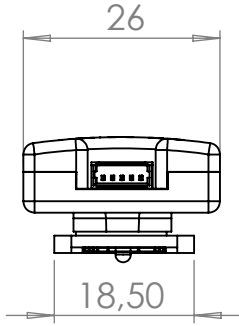
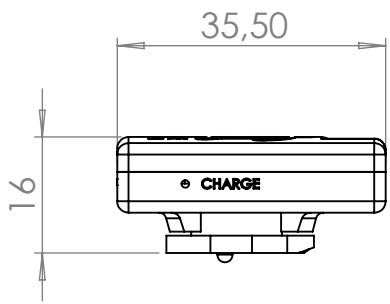
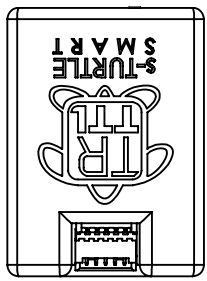
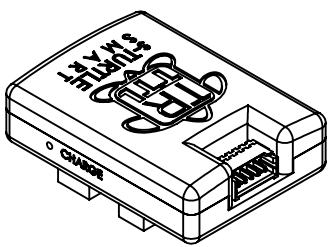
C

B

B

A

A



UNLESS OTHERWISE SPECIFIED:  
 DIMENSIONS ARE IN MILLIMETERS  
 SURFACE FINISH:  
 TOLERANCES:  
 LINEAR:  
 ANGULAR:

FINISH:

DEBURR AND  
 BREAK SHARP  
 EDGES

DO NOT SCALE DRAWING

REVISION

	NAME	SIGNATURE	DATE	
DRAWN				
CHK'D				
APPV'D				
MFG				
Q.A				

TITLE:

DWG NO. **S-TURTLE SMART** A4

SCALE: 1:1 SHEET 1 OF 1

4 3 2 1